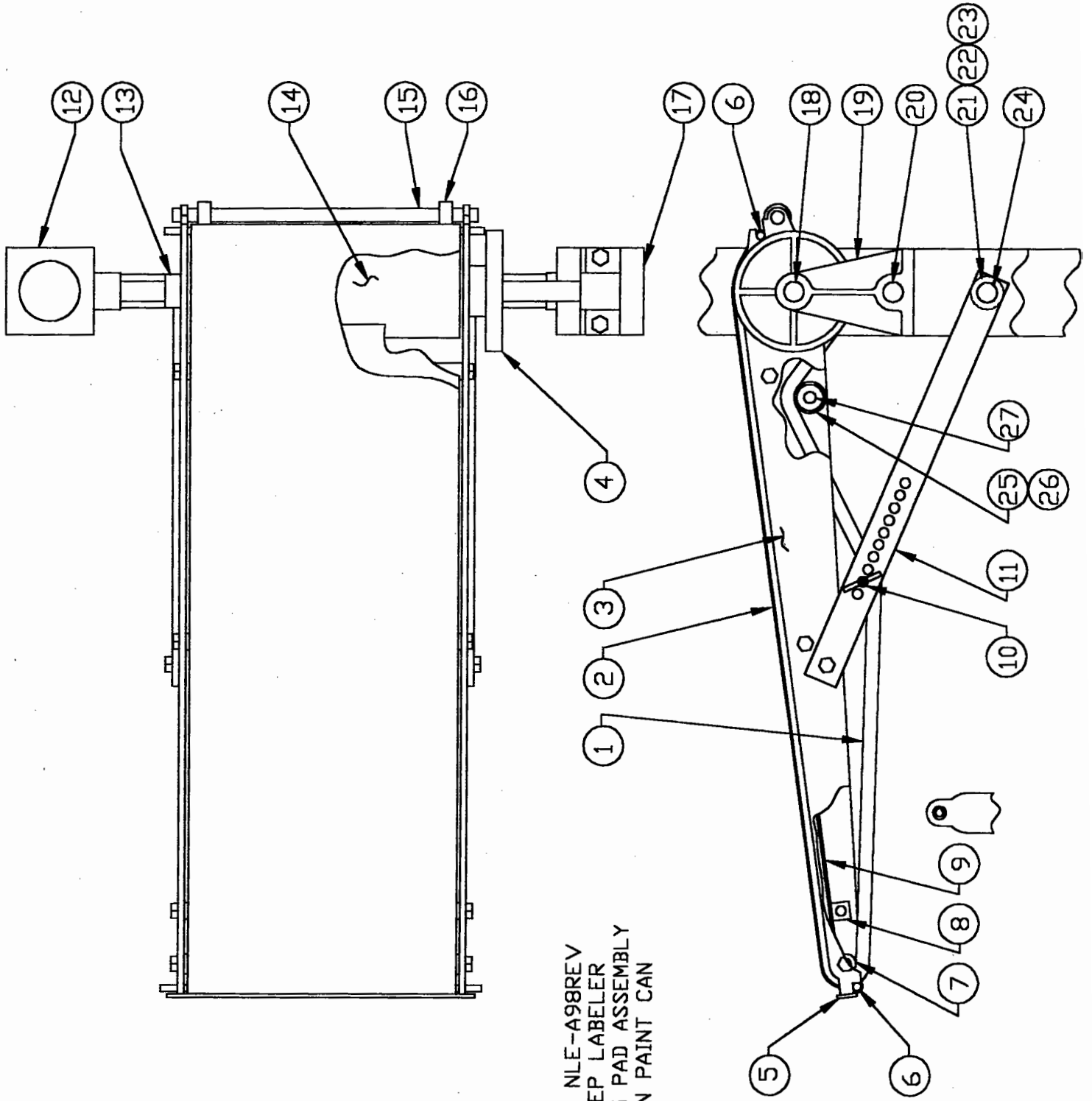


DWG. NO. NLE-A98REV
 MODEL EP LABELER
 8' SEAMING PAD ASSEMBLY
 GALLON PAINT CAN



MODEL EP LABELER 8" SEAMING PAD ASSEMBLY - GALLON PAINT CAN
 DWG. NO. NLE-A98REV

ITEM NO.	PART NO.	DESCRIPTION
1	NLE-1149L/8	ENDLESS SEAMING PAD - 8' X 59'
2	NLE-1223L/8	SEAMING PAD APRON - 8' X 31-3/4'
3	NLE-1129AL	SEAMING PAD SUPPORT FRAME
4	NLE-1135	SEAMING PAD HAND WHEEL
5	NLE-1134/8	SEAMING PAD FRAME TIE
6	NLE-1219/8	SEAMING PAD APRON PIN 10"
7	NLE-1141/8	SEAMING PAD ROLLER
8	NLE-1133/8	SEAMING PAD FRAME SPACER
9	NLE-1131L/8	SEAMING PAD BASE - 8'
10	NL-A334	SEAMING PAD TAKE UP ROD
11	NLE-1143LREV	SEAMING PAD FRAME BRACE
12	NLE-110L	REAR MAIN COLUMN - D.E.
13	FP-SC12	SET COLLAR
14	NLE-1137/B	SEAMING PAD ADJUSTMENT ROLL
15	NLE-150/8	CHUTE ATTACHING PIN 9-3/8"
16	FP-SC08	SET COLLAR
17	NLE-17L	FRONT MAIN COLUMN - D.E.
18	NLE-1139	SEAMING PAD SHAFT
19	NLE-155	SEAMING PAD SUPPORT BRACKET
20	NLE-119	COLUMN TIE ROD
21	NLE-1144/8	CROSS TIE TUBE 3-5/8"
22	NLE-1145/8	CROSS TIE TUBE 8-3/4"
23	NLE-1146/8	CROSS TIE TUBE 3"
24	NLE-W111	COLUMN CROSS TIE ROD
25	NLE-A1126/8	SEAMING PAD ROLLER ASSY.(INCLUDES ITEM #26)
26	NFT-845	ROLLER BUSHING
27	NLE-1124/8	SEAMING PAD IDLER ROLLER SHAFT

WHEN ORDERING REPAIR PARTS, GIVE MODEL NO., MACHINE NO. & SERIAL NO.
 AS WELL AS PART NUMBER AND NAME.

NEW WAY PACKAGING MACHINERY, INC.
 P.O. BOX 467 210 BLETTNER AVENUE
 HANOVER, PA. 17331
 TEL. (717) 637-2133 OR 637-8998
 FAX. (717) 637-2966 WEB SITE: www.labeler.com