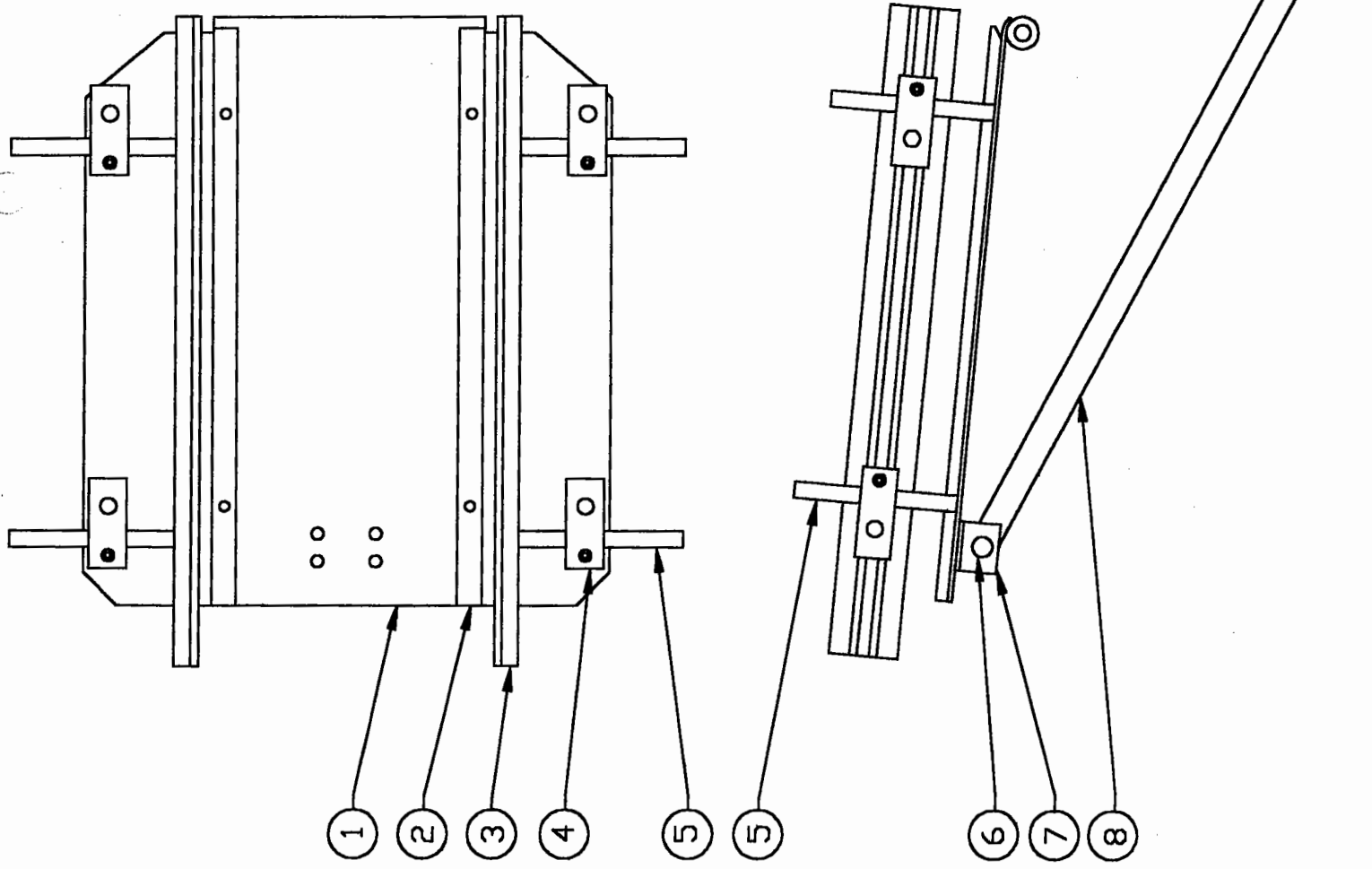


DWG. NO. NLE-A137B0ST
MODEL A5/A7/AP - E5/E7/EP LABELER
BOOSTER INFEED CHUTE ASSEMBLY



MODEL A5/A7/AP - E5/E7/EP LABELER BOOSTER INFEED CHUTE ASSEMBLY
DWG. NO. NLE-A137BOST

ITEM NO.	PART NO.	DESCRIPTION
1	NLE-W138C	DISC. CHUTE PLATE WELDMENT
2	NLE-144	CHUTE SUB RAIL - GALLON PAINT CANS ONLY
3	NA-A140	CHUTE RAIL ASSEMBLY
4	NA-145	CHUTE RAIL ADJUSTING BLOCK
5	NA-142	CHUTE RAIL ADJUSTING ROD
6	NLE-146	CHUTE SUPPORT PIN
7	NLE-135/A	CHUTE BRACE RETAINER
8	NLEB-5	FEED CHUTE SUPPORT

WHEN ORDERING REPAIR PARTS, GIVE MODEL NO., MACHINE NO. & SERIAL NO.
AS WELL AS PART NUMBER AND NAME.

NEW WAY PACKAGING MACHINERY, INC.
P.O. BOX 467 210 BLETTNER AVENUE
HANOVER, PA. 17331
TEL. (717) 637-2133 OR 637-8998
FAX. (717) 637-2966 WEB SITE: www.labeler.com