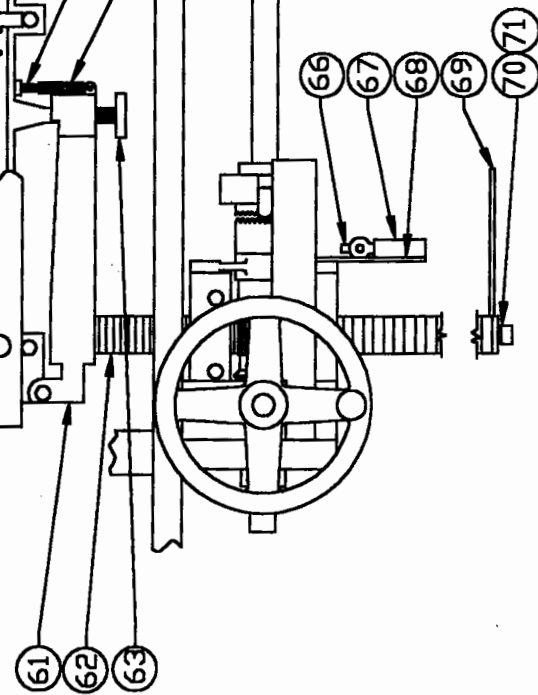


DWG. NO. NAL-A21LCF
 MODEL A7/AP LABELER
 CONTINUOUS FEED (FLIGHT BAR TYPE)
 LABEL FEED DRIVE ASSEMBLY



MODEL A7/AP LABELER CONTINUOUS FEED (FLIGHT BAR TYPE) LABEL FEED DRIVE ASSEMBLY
 DWG. NO. NAL-A21LCF

ITEM NO.	PART NO.	DESCRIPTION
1	NAL-2901	LABEL FEED SUPPORT PLATE
2	NAL-2904	LABEL FEED SUPPORT SPACER
3	NLE-B122012	BEARING
4	NLEBIR081212	INNER RACE
5	NLE-AC229	CONTROL LABEL FEED GEAR ASSEMBLY
6	NLE-BB1416/8	BRONZE BUSHING
7	FP-SC14	SET COLLAR
8	NLE-2102	MANUAL CONTROL GEAR
9	NLE-A243RHS	LABEL FEED RACK SUPPORT ASSY. (INCLUDES ITEM #10)
10	NLE-2251	BRONZE BUSHING
11	NAL-2903	LABEL FEED SUPPORT BRACE
12	FP-SC12	SET COLLAR
13	NLE-2100	LABEL FEED ADJUST SHAFT
14	NLE-AC2148	HAND WHEEL ASSEMBLY (INCLUDES ITEM #15)
15	NL-4102A	STEEL CRANK HANDLE
16	F-SH08F36	SOCKET HEAD CAP SCREW
17	NLE-243LHS	LABEL FEED RACK SUPPORT
18	NLE-C2152	BRONZE BUSHING
19	NLE-C2123A	LABEL FEED CLUTCH MEMBER-F.E.
20	NLE-AC226A	FEED SHAFT SUPP. BKT. ASSY. (INCLUDES ITEM #18-#48)
21	NLE-C235	LABEL FEED CLUTCH ROLLER
22	NLE-C2125	CLUTCH ROLLER STUD
23	NLE-C2122	LABEL FEED CLUTCH MEMBER-F.E.
24	NLE-C2146	BRONZE BUSHING
25	NLE-AC2145	CLUTCH LEVER SUPPORT ASSY. (INCLUDES ITEM #24)
26	NLE-C2126	CLUTCH SUPPORT STUD
27	NLE-C2127	LABEL FEED CLUTCH COLLAR
28	NLE-639	CLUTCH LEVER SUPPORT SHAFT
29	NAL-215LCF	CONTINUOUS LABEL FEED CONTROL SHAFT
30	NAL-2909	REAR LABEL FEED DRIVE SHAFT
31	NLE-C223	LABEL FEED CLUTCH MEMBER-D.E.
32	NLE-C222A	LABEL FEED CLUTCH MEMBER-D.E.
33	NLE-C219A	LABEL FEED ADJUSTMENT DRIVEN GEAR
34	NLE-C221A	LABEL FEED ADJUSTMENT GEAR
35	NLE-C229/2	MANUAL CONTROL GEAR
36	NLE-C231A	LABEL FEED GEAR SUPPORT
37	NAL-2905	LABEL FEED SUPPORT SPACER
38	NAL-2902	LABEL FEED SUPPORT PLATE
39	NLE-C244	LABEL FEED DRIVE SPROCKET
40	NLE-C2130	REAR LABEL FEED SHAFT SCREW
41	NAL-234	SHAFT SUPPORT BUSHING
42	NAL-2908	LABEL FEED DRIVE SPROCKET
43	NAL-2919	LABEL FEED SHAFT SUPPORT
44	NAL-2907	CONTINUOUS LABEL FEED TUBE
45	NLE-AC230A	LABEL FEED GEAR SUPPORT ASSY. (INCLUDES ITEM #10)

WHEN ORDERING REPAIR PARTS, GIVE MODEL NO., MACHINE NO. & SERIAL NO.
 AS WELL AS PART NUMBER AND NAME.

NEW WAY PACKAGING MACHINERY, INC.
 P.O. BOX 467 210 BLETTNER AVENUE
 HANOVER, PA. 17331
 TEL. (717) 637-2133 OR 637-8998
 FAX. (717) 637-2966 WEB SITE: www.labeler.com

SEPTEMBER 26, 2002

MODEL A7/AP LABELER CONTINUOUS FEED (FLIGHT BAR TYPE) LABEL FEED DRIVE ASSEMBLY
DWG. NO. NAL-A21LCF

ITEM NO.	PART NO.	DESCRIPTION
46	NLE-C2128	WASHER
47	NLE-C2143	LABEL FEED CLUTCH KEY
48	NLE-C234A	SHAFT SUPPORT BRACKET BUSHING
49	NLE-C228A	LABEL FEED GEAR SPACER
50	F-SH04C32	SOCKET HEAD CAP SCREW
51	NL-47L	EXTENSION SPRING
52	NAL-2906	CLUTCH LEVER RETAINER
53	NLE-C2138	CLUTCH LEVER RETAINER BAR
54	NLE-C227	LABEL FEED CLUTCH LEVER
55	NLE-A237LU	OUTSIDE LABEL SUPPORT ASSEMBLY
56	NLE-A236LCF	CENTER LABEL PLATE SUPP. ASSY.(INCLUDES ITEM #57-#60-#64)
57	NL-240A	LABEL SUPPORT EXPANSION SPRING
58	NCLF-838/1	LABEL PLATE NO. 1 - 1/2"
	NCLF-838/2	LABEL PLATE NO. 2 - 1"
	NCLF-838/3	LABEL PLATE NO. 3 - 1-1/2"
	NCLF-838/4	LABEL PLATE NO. 4 - 2"
	NCLF-A838L5	LABEL PLATE NO. 5 ASSY. - 3" (INCLUDES ITEM #59)
	NCLF-A838L6	LABEL PLATE NO. 6 ASSY. - 4" (INCLUDES ITEM #59)
	NCLF-A838L7	LABEL PLATE NO. 7 ASSY. - 5" (INCLUDES ITEM #59)
	NCLF-A838L8	LABEL PLATE NO. 8 ASSY. - 6" (INCLUDES ITEM #59)
59	NLE-2252	LABEL PLATE SUPPORT PIN
60	NLE-239CF	CARRIER ROD
61	NLE-206	LABEL BED SUPPORT
62	NLE-2103/A	LABEL FEED RACK
63	NLE-W207	LABEL PLATE ADJ. SCREW WELDMENT
64	NLE-255/1	SPRING STUD
65	NL-47S	EXTENSION SPRING
66	NLE-1032	TRIP VALVE ARM EXTENSION
67	NLE-1038	TRIP VALVE
68	NLE-1031	TRIP VALVE MOUNT PLATE
69	NA-229	SWITCH TRIP BAR
70	NA-230	TRIP BAR SPACER
71	F-SH06C16	SOCKET HEAD CAP SCREW

WHEN ORDERING REPAIR PARTS, GIVE MODEL NO., MACHINE NO. & SERIAL NO.
AS WELL AS PART NUMBER AND NAME.

NEW WAY PACKAGING MACHINERY, INC.
P.O. BOX 467 210 BLETNER AVENUE
HANOVER, PA. 17331
TEL. (717) 637-2133 OR 637-8998
FAX. (717) 637-2966 WEB SITE: www.labeler.com