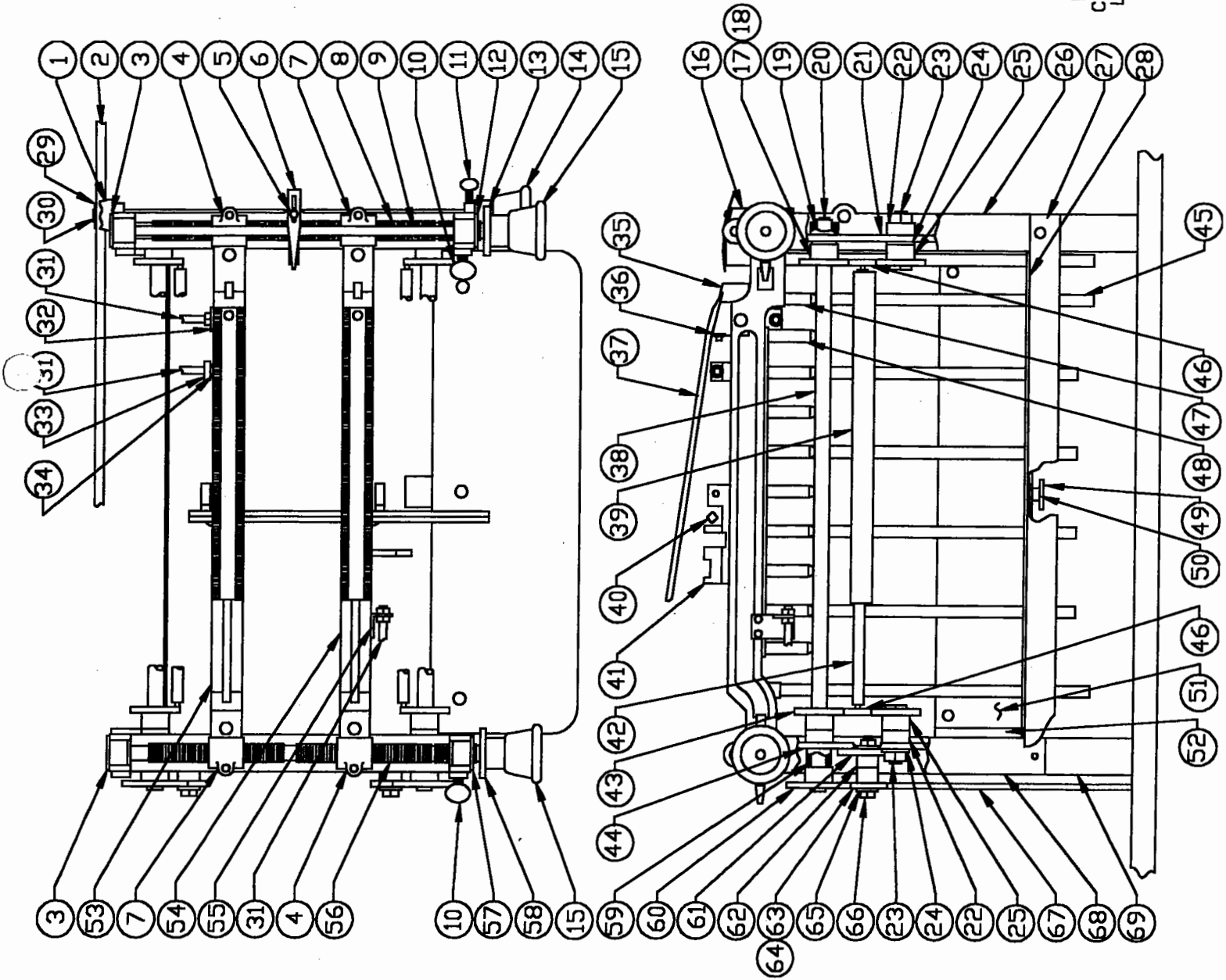


DWG. NO. NAL-A2100SCFRC
MODEL ASRC L.H. CONTROL LABELER
CONTINUOUS FEED (FLIGHT BAR TYPE)
LABEL BED RISER & GUIDE ASSEMBLY



MODEL ASRC L.H. CONTROL LABELER
CONTINUOUS FEED (FLIGHT BAR TYPE) LABEL BED RISER & GUIDE ASSEMBLY
DWG. NO. NAL-A2100SCFRC

ITEM NO.	PART NO.	DESCRIPTION
1	NLE-3106/A	PASTE POT RACK RETAINER
2	NLE-3107SA	PASTE POT ADJUSTMENT RACK
3	NLE-25	ADJUSTING SCREW SLEEVE
4	NLE-26L	LABEL GUIDE ADJUSTMENT SLEEVE-L.H.
5	NLE-1118B/1	SPRING SPACER
6	NLE-1118B	FEED TRIP ARM SPRING
7	NLE-26R	LABEL GUIDE ADJUSTMENT SLEEVE-R.H.
8	NLE-23D	LABEL GUIDE ADJUSTMENT SCREW
9	NLE-257	CAN TRACK SUPPORT ROD
10	FP-TS06C12	PLATED THUMB SCREW
11	FP-TS04C12	PLATED THUMB SCREW
12	NLE-25R	ADJUSTING SCREW SLEEVE-R.H. THREAD
13	NL-25R	CENTERING SCREW-R.H. THREAD
14	NL-443	HANDWHEEL
15	NL-27	HANDWHEEL
16	NAL-2915	CENTER LABEL RETAINER SPRING MOUNT
17	NLE-C2142	LABEL PLATE ADJUSTMENT SPROCKET
18	NLE-C2144	LABEL PLATE ADJUSTMENT SPROCKET KEYS
19	NL-5203	BRONZE BUSHING
20	NLE-C258	SPROCKET CLAMP SCREW
21	NLE-AC2204/F	LABEL PLATE SPROCKET SUPP. ASSY.-F.E.(INCLUDES ITEM #19)
22	NLE-C2206	IDLER SPROCKET WASHER
23	NLE-C208	IDLER SPROCKET STUD
24	NLE-C202	WASHER
25	NLE-C204	LABEL PLATE IDLER SPROCKET
26	NLE-A21	LABEL BED RISER ASSY.-F.E. (INCLUDES ITEM #3 & #12)
27	NLE-1152/S	LABEL SHELF SUPPORT
28	NLE-1151SA	LABEL SHELF
29	NLE-214	PASTE POT ADJUSTMENT GEAR
30	NLE-212	PASTE POT ADJUSTMENT SHAFT
31	NA-EPS11	FIBER OPTIC CABLE
32	NLE-641	FIBER OPTIC MOUNT PLATE
33	NLE-607	FIBER OPTIC ADJUST PLATE
34	NLE-606E	FIBER OPTIC MOUNT PLATE
35	NLE-200A1	LABEL GUIDE TRACK BLOCK
36	NL-2121A	PICK-UP END KNIFE
37	NLE-210S/B	LABEL BED CAN TRACK
38	NLE-C205S	LABEL PLATE DRIVE SPROCKET SHAFT
39	NLE-8200SRC	CONTINUOUS LABEL FEED PLATE
40	NLE-286U	CURLING BAR
41	NLE-A284RC	PASTE SHIELD RETAINER ASSY.-R.H. SIDE (WIRE BELT SYSTEM)
	NLE-A284V	PASTE SHIELD RETAINER ASSY.-R.H. SIDE (PRESSURE SYSTEM)
	NLE-A285	PASTE SHIELD RETAINER ASSY.-L.H. SIDE (WIRE BELT SYSTEM)
	NLE-A285V	PASTE SHIELD RETAINER ASSY.-L.H. SIDE (PRESSURE SYSTEM)

WHEN ORDERING REPAIR PARTS, GIVE MODEL NO., MACHINE NO. & SERIAL NO.
AS WELL AS PART NUMBER AND NAME.

NEW WAY PACKAGING MACHINERY, INC.
P.O. BOX 467 210 BLETTNER AVENUE
HANDOVER, PA. 17331

TEL. (717) 637-2133 OR 637-8998
FAX. (717) 637-2966 WEB SITE: www.labeler.com

MODEL ASRC L.H. CONTROL LABELER
 CONTINUOUS FEED (FLIGHT BAR TYPE) LABEL BED RISER & GUIDE ASSEMBLY
 DWG. NO. NAL-A2100SCFRC

ITEM NO.	PART NO.	DESCRIPTION
42	NLE-C201S	LABEL PLATE CARRIER BAR
43	NLE-C203	LABEL PLATE DRIVE SPROCKET
44	NLE-AC2204/D	LABEL PLATE SPROCKET SUPP. ASSY.-D.E.(INCLUDES ITEM #59)
45	NLE-2207	LABEL GUIDE LEGS
46	NLE-C2160	LABEL PLATE CARRIER BAR CHAIN ASSY.
47	NLE-C2129	LABEL GUIDE PINS 1-3/8"
48	NLE-C2129/01	LABEL GUIDE PINS 2"
49	NLE-C2153	LABEL FEED PLATE SUPPORT
50	NL-3125	5/16" FILLER
51	NLE-C2141S	LABEL FEED PLATE LIMIT STOP
52	NLE-C2140	LABEL FEED PLATE STOP ANGLE
53	NLE-28S	LABEL GUIDE-R.H. SIDE
54	NLE-29S	LABEL GUIDE-L.H. SIDE
55	NLE-646	FIBER OPTIC MOUNT CLIP
56	NLE-23F	LABEL GUIDE ADJUSTMENT SCREW
57	NLE-25L	ADJUSTING SCREW SLEEVE-L.H. THREAD
58	NL-25L	CENTERING SCREW-L.H. THREAD
59	NLE-3149	BRONZE BUSHING
60	NLE-C2131	LABEL FEED DRIVEN SPROCKET
61	NAL-2910	TAKE UP SPROCKET BRACKET
62	NAL-2911	TAKE UP SPROCKET SPACER
63	NLE-C2132	LABEL FEED TAKE UP SPROCKET
64	NLE-C2133	LABEL FEED TAKE UP SPROCKET BUSHING
65	NLE-C2136	TAKE UP SPROCKET WASHER
66	NLE-C2134	TAKE UP SPROCKET STUD
67	NAL-2912	LABEL FEED DRIVE CHAIN
68	NLE-A22	LABEL BEB RISER ASSY.-D.E. (INCLUDES ITEM #3 & #57)
69	NAL-2101	LABEL BED RISER FILLER

WHEN ORDERING REPAIR PARTS, GIVE MODEL NO., MACHINE NO. & SERIAL NO.
 AS WELL AS PART NUMBER AND NAME.

NEW WAY PACKAGING MACHINERY, INC.
 P.O. BOX 467 210 BLETTNER AVENUE
 HANOVER, PA. 17331
 TEL. (717) 637-2133 OR 637-8998
 FAX. (717) 637-2966 WEB SITE: www.labeler.com