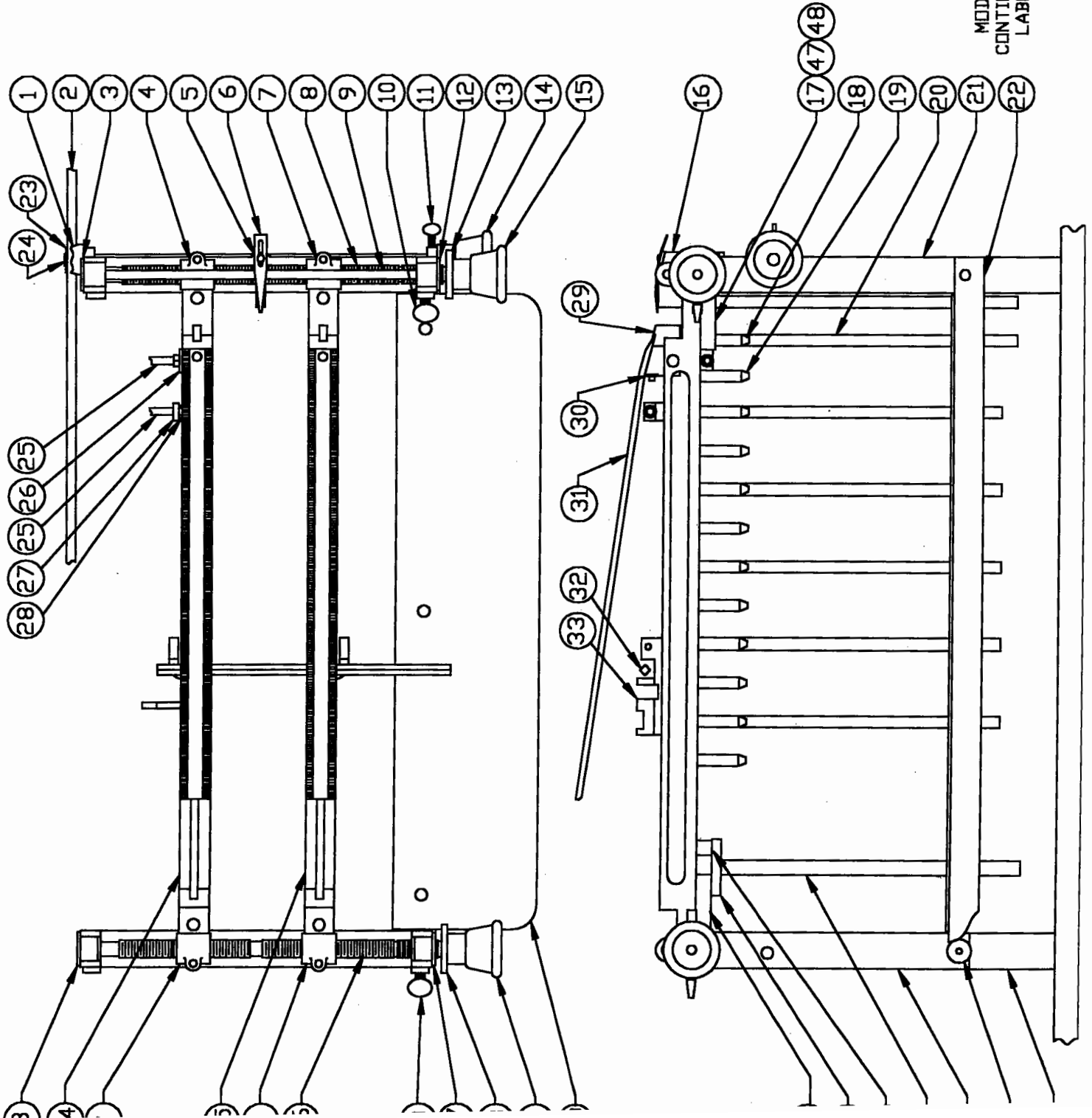


DWG. NO. NAL-A2100LCTRC
MODEL A7RC L.H. CONTROL LABELER
CONTINUOUS FEED CTOGGLE FINGER TYPE
LABEL BED RISER & GUIDE ASSEMBLY



MODEL A7RC L.H. CONTROL LABELER
CONTINUOUS FEED (TOGGLE FINGER TYPE) LABEL BED RISER & GUIDE ASSY.

DWG. NO. NAL-A2100LCTRC

ITEM NO.	PART NO.	DESCRIPTION
1	NLE-3106/A	PASTE POT RACK RETAINER
2	NLE-3107LA	PASTE POT ADJUSTMENT RACK
3	NLE-25	ADJUSTING SCREW SLEEVE
4	NLE-26L	LABEL GUIDE ADJUSTMENT SLEEVE-L.H.
5	NLE-1118B/1	SPRING SPACER
6	NLE-1118B	FEED TRIP ARM SPRING
7	NLE-26R	LABEL GUIDE ADJUSTMENT SLEEVE-R.H.
8	NLE-23D	LABEL GUIDE ADJUSTMENT SCREW
9	NLE-257	CAN TRACK SUPPORT ROD
10	FP-TS06C12	PLATED THUMB SCREW
11	FP-TS04C12	PLATED THUMB SCREW
12	NLE-25R	ADJUSTING SCREW SLEEVE-R.H. THREAD
13	NL-25R	CENTERING SCREW-R.H. THREAD
14	NL-443	HANDWHEEL
15	NL-27	HANDWHEEL
16	NAL-2915	CENTER LABEL RETAINER SPRING MOUNT
17	NA-213	LABEL GUIDE CLAMP (USED WITH ALUM. LABEL GUIDE ONLY)
18	NLE-C2129	LABEL GUIDE PINS 1-3/8"
19	NLE-C2129/01	LABEL GUIDE PINS 2"
20	NLE-2207	LABEL GUIDE LEGS
21	NLE-A21	LABEL BED RISER ASSY.-F.E. (INCLUDES ITEM #3 & #12)
22	NLE-1152/L	LABEL SHELF SUPPORT
23	NLE-214	PASTE POT ADJUSTMENT GEAR
24	NLE-212	PASTE POT ADJUSTMENT SHAFT
25	NA-EPS11	FIBER OPTIC CABLE
26	NLE-641	FIBER OPTIC MOUNT PLATE
27	NLE-607	FIBER OPTIC ADJUST PLATE
28	NLE-606E	FIBER OPTIC MOUNT PLATE
29	NLE-200A1	LABEL GUIDE TRACK BLOCK
30	NL-2121A	PICK-UP END KNIFE
31	NAL-210LHS	LABEL BED CAN TRACK
32	NLE-286U	CURLING BAR
33	NLE-A284V	PASTE SHIELD RETAINER ASSY.-R.H. SIDE (PRESSURE SYSTEM)
	NLE-A285V	PASTE SHIELD RETAINER ASSY.-L.H. SIDE (PRESSURE SYSTEM)
34	NA-224L	LABEL GUIDE-L.H. SIDE (ALUMINUM)
	NLE-29L	LABEL GUIDE-L.H. SIDE (CAST IRON)
35	NA-225L	LABEL GUIDE-R.H. SIDE (ALUMINUM)
	NLE-28L	LABEL GUIDE-R.H. SIDE (CAST IRON)
36	NLE-23F	LABEL GUIDE ADJUSTMENT SCREW
37	NLE-25L	ADJUSTING SCREW SLEEVE-L.H. THREAD

WHEN ORDERING REPAIR PARTS, GIVE MODEL NO., MACHINE NO. & SERIAL NO.
AS WELL AS PART NUMBER AND NAME.

NEW WAY PACKAGING MACHINERY, INC.
P.O. BOX 467 210 BLETTNER AVENUE
HANOVER, PA. 17331
TEL. (717) 637-2133 OR 637-8998
FAX. (717) 637-2966 WEB SITE: www.labeler.com

MODEL A7RC L.H. CONTROL LABELER
CONTINUOUS FEED (TOGGLE FINGER TYPE) LABEL BED RISER & GUIDE ASSY.

DWG. NO. NAL-A2100LCTRC

ITEM NO.	PART NO.	DESCRIPTION
38	NL-25L	CENTERING SCREW - L.H.THREAD
39	NLE-1151LA	LABEL SHELF
40	NA-216	LABEL GUIDE CLAMP (USED WITH ALUM. LABEL GUIDE ONLY)
41	NA-2174L	GUIDE ROD MOUNT PLATE
42	NA-2175	GUIDE ROD PLATE SPACER
43	NA-2173	AUXILIARY FEED BAR GUIDE ROD
44	NLE-A22	LABEL BED RISER ASSY.- D.E.(INCLUDES ITEM #3 & #37)
45	NA-2176	LABEL SHELF SPACER
46	NAL-2101	LABEL BED RISER FILLER
47	NAL-2170L	GUIDE ROD MOUNT BAR-L.H. SIDE (USED WITH CAST IRON LABEL GUIDE ONLY)
48	NAL-2170R	GUIDE ROD MOUNT BAR-R.H. SIDE (USED WITH CAST IRON LABEL GUIDE ONLY)

WHEN ORDERING REPAIR PARTS, GIVE MODEL NO., MACHINE NO. & SERIAL NO.
AS WELL AS PART NUMBER AND NAME.

NEW WAY PACKAGING MACHINERY, INC.
P.O. BOX 467 210 BLETTNER AVENUE
HANOVER, PA. 17331
TEL. (717) 637-2133 OR 637-8998
FAX. (717) 637-2966 WEB SITE: www.labeler.com