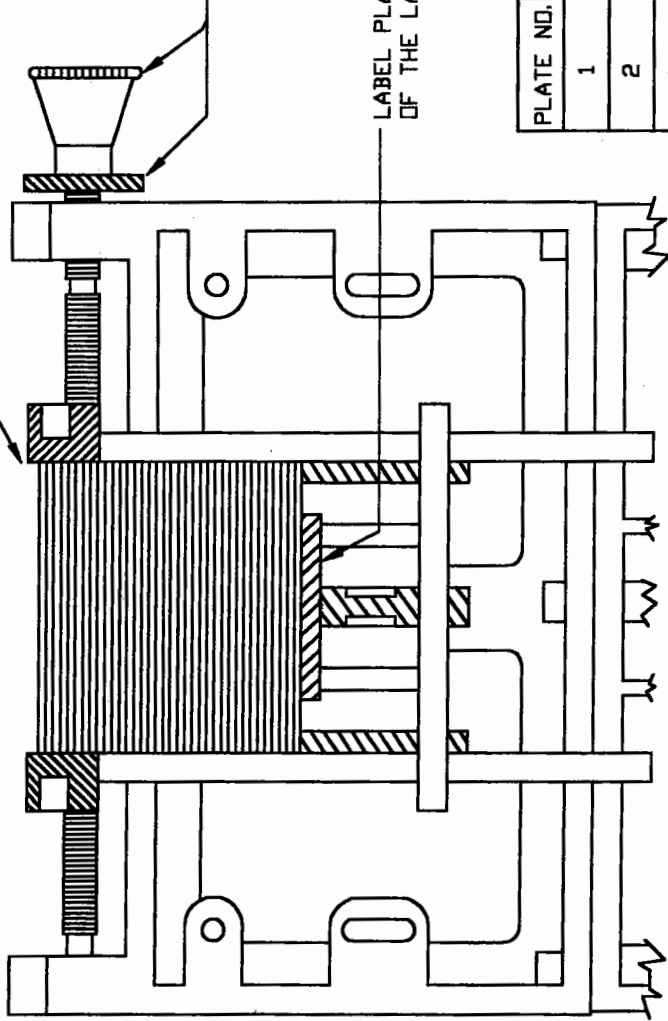


RAISE LABELS BY HAND TO WITHIN 1/4" OF THE TOP OF GUIDES. THEN ADJUST GUIDES IN OR OUT TO FIT WIDTH OF LABELS. ADJUST ONLY TIGHT ENOUGH SO THAT LABELS DO NOT BULGE IN THE CENTER. THEN RAISE LABELS FLUSH WITH TOP OF CAN TRACKS. SEE INSTRUCTION SHEET NO. 6A OR 6EV

IF GUIDES ARE SET TOO LOOSE OR WIDE CANS WILL SLIP OFF OF CAN TRACKS



SEE INSTRUCTION SHEET NO. 6A OR 6EV FOR MAKING ADJUSTMENTS WITH THESE KNOBS

LABEL PLATES SHOULD BE CHANGED TO SUIT THE WIDTH OF THE LABELS. SEE LIST BELOW, ALSO INSTRUCTIONS.

LABEL PLATE LIST

PLATE NO.	PLATE WIDTH	WIDTH OF LABELS	PART NO. (SHORT FRAME)	PART NO. (LONG FRAME)
1	1/2"	1-1/2" TO 2"	NCLF-838/1	NCLF-838/1
2	1"	2" TO 2-1/2"	NCLF-838/2	NCLF-838/2
3	1-1/2"	2-1/2" TO 3"	NCLF-838/3	NCLF-838/3
4	2"	3" TO 4"	NCLF-838/4	NCLF-838/4
5	3"	4" TO 5"	NCLF-A838/5	NCLF-A838L5
6	4"	5" TO 6"	NCLF-A838/6	NCLF-A838L6
7	5"	6" TO 7"	NCLF-A838/7	NCLF-A838L7
8	6"	7" TO 8"	NCLF-A838/8	NCLF-A838L8
9	7"	8" TO 9"	NCLF-A838/9	NCLF-A838L9

SECTIONAL VIEW THRU LABEL BED

NEW WAY PACKAGING MACHINERY, INC.  
HANDOVER, PA. 17331

DATE : 12/22/04

INSTRUCTION SHEET  
NUMBER 7E