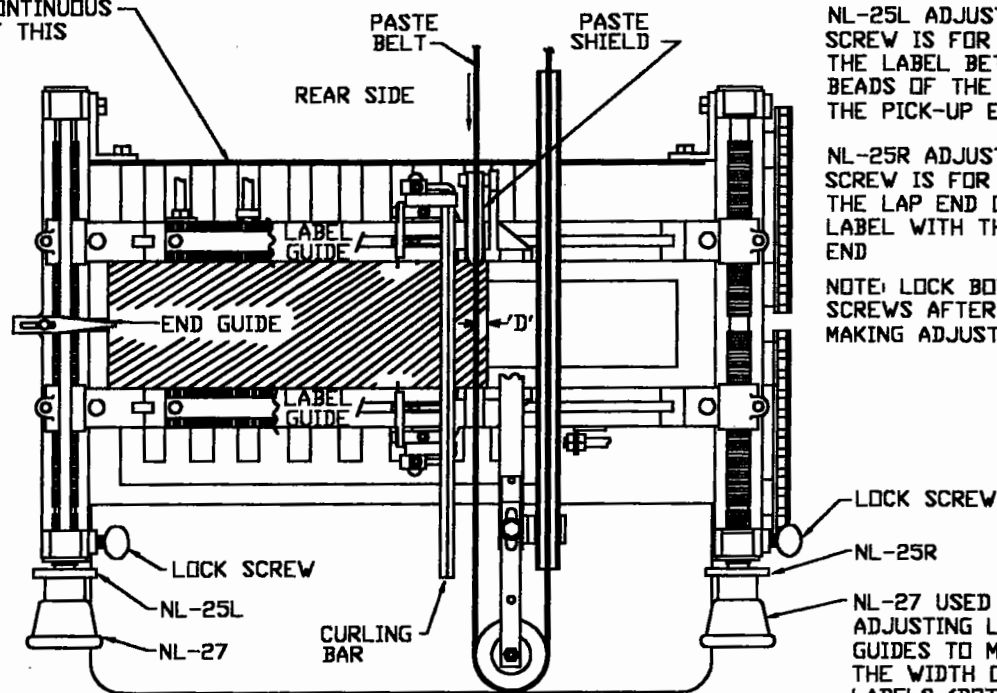


BE SURE TO PUSH CONTINUOUS FEED PLATE AGAINST THIS REAR GUIDE

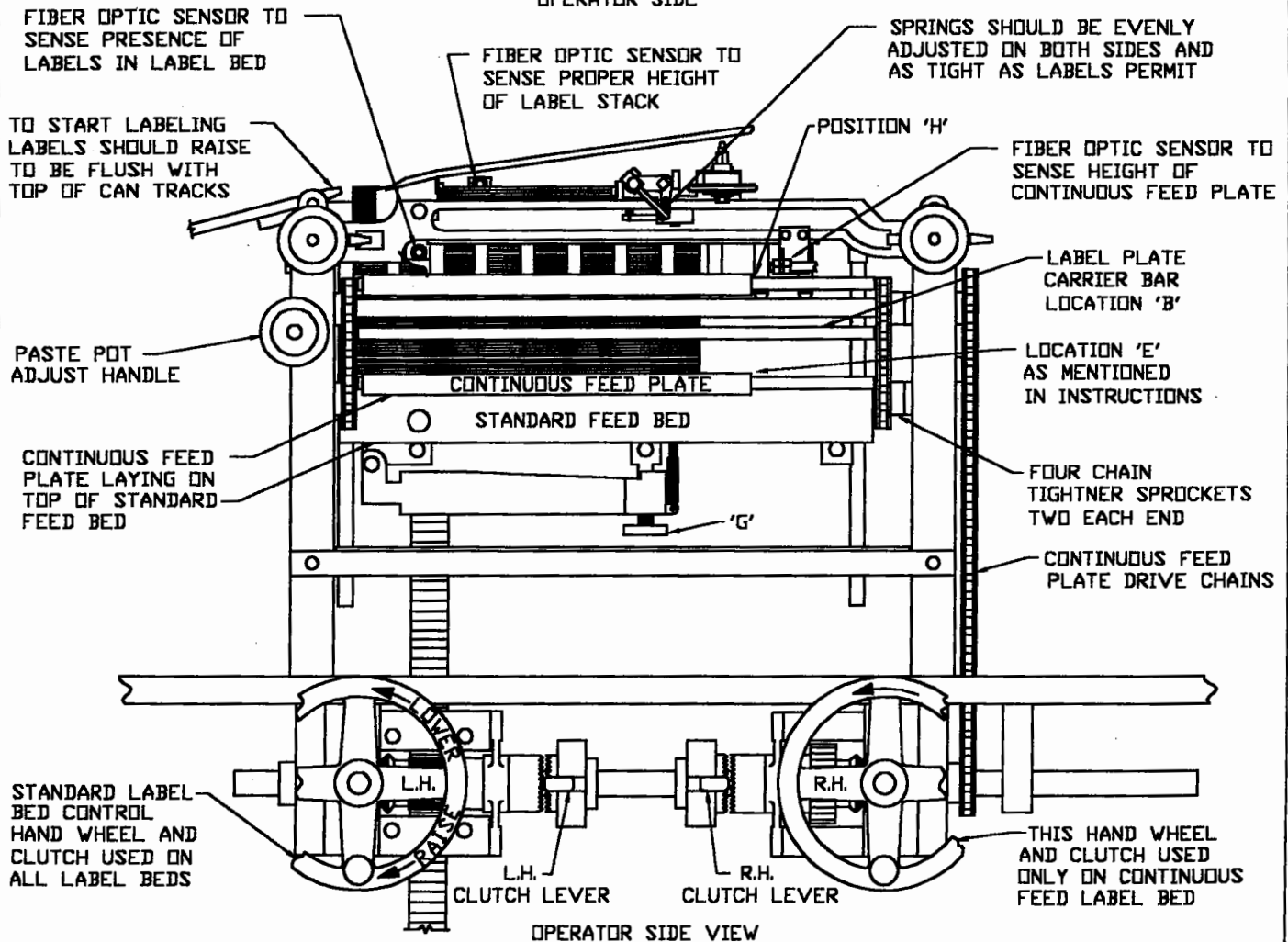


NL-25L ADJUSTING SCREW IS FOR CENTERING THE LABEL BETWEEN THE BEADS OF THE CANS AT THE PICK-UP END

NL-25R ADJUSTING SCREW IS FOR MATCHING THE LAP END OF THE LABEL WITH THE PICK-UP END

NOTE: LOCK BOTH SCREWS AFTER MAKING ADJUSTMENTS

TOP VIEW OPERATOR SIDE



MODEL A LABEL BED OPERATING INSTRUCTIONS WITH OR WITHOUT CONTINUOUS FEED