

IMPROVED MODEL "E" PASTE SHIELD FOR ALL MODEL "E"/"A"/"V" LABELERS OR FOR OLDER MACHINES WITH MODEL "E" TYPE PASTE POT.

TO INSTALL:

REMOVE NLE-285B (OR NL-285LC) PASTE SHIELD RETAINER (REAR SIDE).

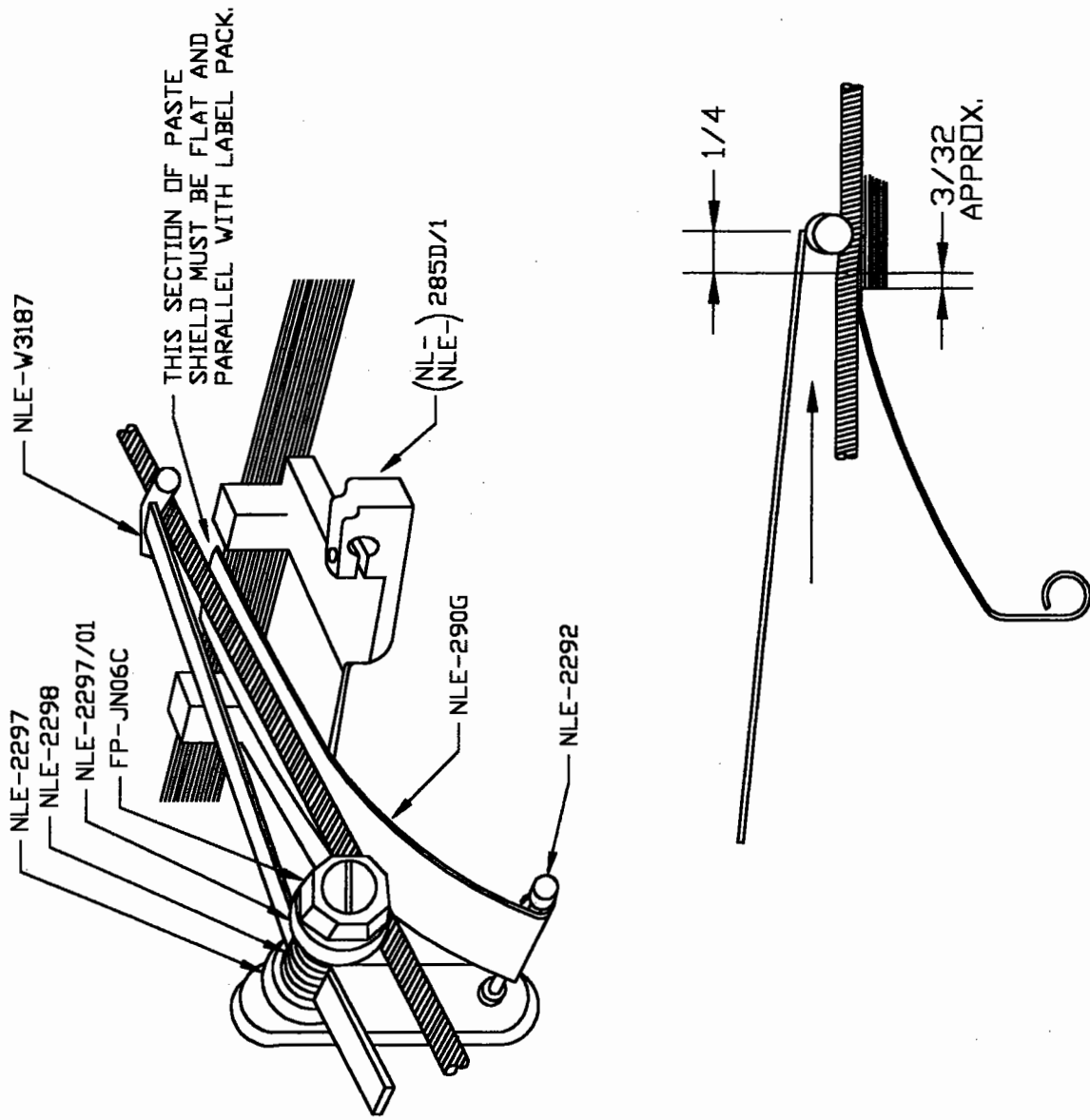
REPLACE ABOVE WITH NEW STYLE NLE-285D/1 (OR NL-285D/1) PASTE SHIELD RETAINER.

ADJUSTMENT:

RAISE LABEL PACK TO NORMAL OPERATING HEIGHT. THE END OF THE NLE-290G PASTE SHIELD SHOULD EXTEND OVER THE EDGE OF LABEL PACK APPROXIMATELY 3/32". ADJUST BY CHANGING THE BEND OF THE SHIELD AT THE PIN.

ADJUST BELT PRESSURE SPRING TO APPLY VERY SLIGHT PRESSURE TO THE PASTE BELT.

NO FURTHER ADJUSTMENT IS NECESSARY ON THE REAR SIDE WHEN CHANGING LABEL WIDTHS.



## WIRE PASTE BELT ADJUSTMENT INSTRUCTION

NEW WAY PACKAGING MACHINERY, INC.  
HANOVER, PA. 17331

INSTRUCTION SHEET  
DWG. NO. 4153C

DATE : 12/22/04